

ARCHES

FOUR STYLES OF HI-CLEARANCE ARCHES

USES:

TrenchTech's Hi-Clearance Arch spreader system is available in four styles: Pin-in-Place Arch, Tubular Arch, Wide Flange Arch, and Box Culvert Arch. The design allows maximum pipe and structure clearance with minimum trench width. The Hi-Clearance Arch system is designed for use with most TrenchTech's trench shields.

PIN-IN-PLACE ARCH

Pin-in-Place arches are interchangeable with spreaders and fit over standard sidewall collars. The arches provide 91 in. of clearance on 8 ft. tall XLD, HT6, and HT8 shields; and 115 in. of clearance on 10 ft. tall HT6, and HT8 shields.

WIDE FLANGE ARCH

Excellent for deep cuts, wet soil and other tough jobs. Wide Flange Arches provide maximum structural strength to withstand pressures of large, deep excavations.

TUBULAR ARCH

Perfect for medium depth jobs. Tubular Arches provide excellent clearance and visibility for excavator operators.

BOX CULVERT ARCH

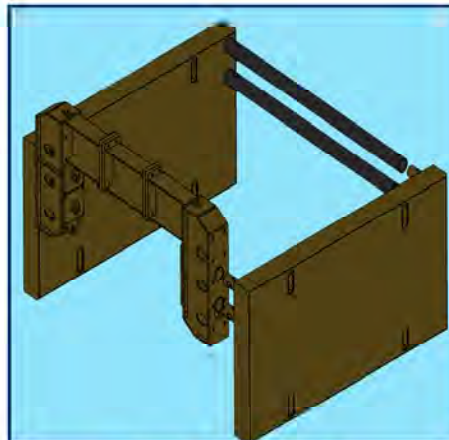
The Box Culvert Arch system is designed to allow clearance for square or rectangular box culvert installations.



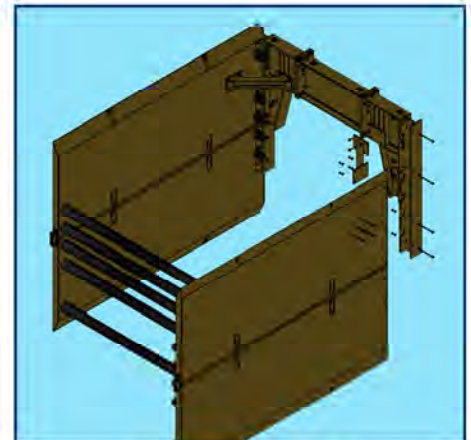
Pin-in-Place Arch



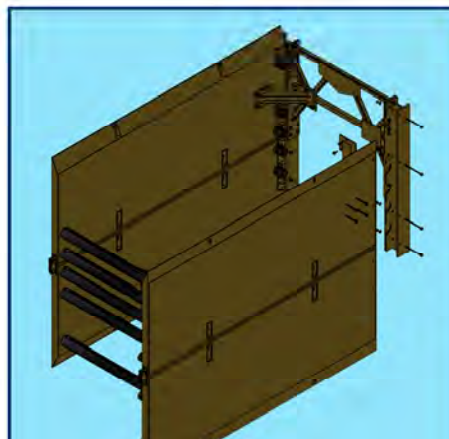
Two Shields w/ Adjoined Arches



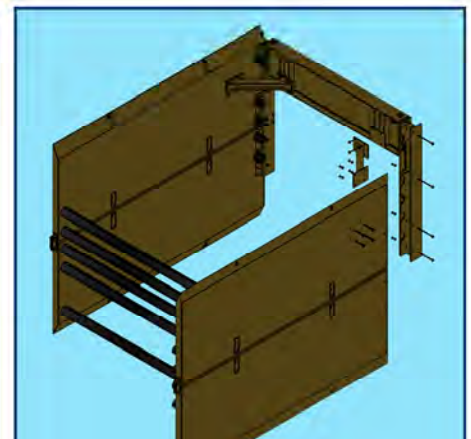
Pin-in-Place Arch



Wide Flange Arch



Tubular Arch



Box Culvert Arch

SPREADERS

SPREADER SETS FOR STEEL TRENCH SHIELDS

USES:

TrenchTech's spreader sets are available in a wide variety of combinations for any size and type of shield.

FEATURES:

- All spreaders meet A.S.T.M

REQUIREMENTS:

- Spreaders include pins and keepers
- Custom sizes upon request

OPTIONS:

- 4" schedule 40
- 5" schedule 80
- 6" schedule 80
- 8" schedule 80
- 10" schedule 120
- 3-pipe and mud plate set
- 4-pipe independent set
- 4-pipe connected set
- 5-pipe independent set
- 5-pipe connected set



Spreader Sets 4" Sch 40 - 4 Pipe "I"		
Model	Inside Width (In.)	Weight (Lbs.)
SPXLS-24-4	24	120
SPXLS-30-4	30	140
SPXLS-36-4	36	160
SPXLS-42-4	42	180
SPXLS-48-4	48	200
SPXLS-54-4	54	220
SPXLS-60-4	60	250
SPXLS-72-4	72	290
SPXLS-84-4	84	330
SPXLS-96-4	96	370
SPXLS-108-4	108	420
SPXLS-120-4	120	470
SPXLS-144-4	144	560

Spreader Set 6" Sch 80 - 4 Pipe "I"		
Model	Inside Width (In.)	Weight (Lbs.)
SP6-24-4	24	280
SP6-30-4	30	335
SP6-36-4	36	390
SP6-42-4	42	450
SP6-48-4	48	510
SP6-54-4	54	560
SP6-60-4	60	620
SP6-72-4	72	735
SP6-84-4	84	845
SP6-96-4	96	960
SP6-108-4	108	1,080
SP6-120-4	120	1,200
SP6-144-4	144	1,320

Spreader Set 5" Sch 80 - 4 Pipe "I"		
Model	Inside Width (In.)	Weight (Lbs.)
SP5-24-4	24	170
SP5-30-4	30	210
SP5-36-4	36	310
SP5-42-4	42	360
SP5-48-4	48	400
SP5-60-4	60	480
SP5-72-4	72	560
SP5-84-4	84	700
SP5-96-4	96	800

Spreader Set 4" Sch 40 - 5 Pipe "I"		
Model	Inside Width (In.)	Weight (Lbs.)
SPXLS-24-5	24	150
SPXLS-30-5	30	175
SPXLS-36-5	36	200
SPXLS-42-5	42	225
SPXLS-48-5	48	250
SPXLS-54-5	54	275
SPXI S-60-5	60	310
SPXLS-72-5	72	360
SPXLS-84-5	84	410
SPXLS-96-5	96	460
SPXLS-108-5	108	525
SPXLS-120-5	120	590
SPXLS-144-5	144	700

Spreader Set 6" Sch 80 - 5 Pipe "I"		
Model	Inside Width (In.)	Weight (Lbs.)
SP6-24-5	24	350
SP6-30-5	30	420
SP6-36-5	36	490
SP6-42-5	42	560
SP6-48-5	48	640
SP6-54-5	54	700
SP6-60-5	60	775
SP6-72-5	72	920
SP6-84-5	84	1,060
SP6-96-5	96	1,200
SP6-108-5	108	1,350
SP6-120-5	120	1,500
SP6-144-5	144	1,650

Spreader Set 10" Sch 120 - 4 Pipe "C"		
Model	Inside Width (In.)	Weight (Lbs.)
SPPXL-48-4	48	1,700
SPPXL-60-4	60	2,050
SPPXL-72-4	72	2,415
SPPXL-84-4	84	2,770
SPPXL-96-4	96	3,130
SPPXL-108-4	108	3,480
SPPXL-120-4	120	3,840
SPPXL-144-4	144	4,550

Spreader Set 10" Sch 120 - 5 Pipe "C"		
Model	Inside Width (In.)	Weight (Lbs.)
SPPXL-48-5	48	2,100
SPPXL-60-5	60	2,550
SPPXL-72-5	72	2,990
SPPXL-84-5	84	3,440
SPPXL-96-5	96	3,880
SPPXL-108-5	108	4,330
SPPXL-120-5	120	4,800
SPPXL-144-5	144	5,685

SPREADERS

SPREADER SETS FOR STEEL TRENCH SHIELDS

Spreader Sets 3-Pipe w/ Mud Plate		
Model	Inside Width (In.)	Weight (Lbs.)
SPMP-24	24	570
SPMP-30	30	670
SPMP-36	36	770
SPMP-42	42	885
SPMP-48	48	990
SPMP-54	54	1,090
SPMP-60	60	1,195
SPMP-66	66	1,295
SPMP-72	72	1,400
SPMP-78	78	1,510
SPMP-84	84	1,615
SPMP-90	90	1,710
SPMP-96	96	1,820
SPMP-102	102	1,980
SPMP-108	108	2,140
SPMP-120	120	2,365
SPMP-132	132	2,580
SPMP-144	144	2,795

3-Pipe with Mud Plate

Patented 3-pipe spreader system with mud plate offers excellent protection against water, mud, and sand encroachment into the trench.

Spreader Sets Mud Plate Only		
Model	Inside Width (In.)	Weight (Lbs.)
SPMPO-24	24	260
SPMPO-30	30	300
SPMPO-36	36	335
SPMPO-42	42	380
SPMPO-48	48	420
SPMPO-54	54	455
SPMPO-60	60	495
SPMPO-66	66	530
SPMPO-72	72	570
SPMPO-78	78	615
SPMPO-84	84	655
SPMPO-90	90	695
SPMPO-96	96	730
SPMPO-102	102	825
SPMPO-108	108	920
SPMPO-120	120	1,015
SPMPO-132	132	1,100
SPMPO-144	144	1,185

Spreader Rack

Design for organized storage and movement of spreader pipes by a forklift.

A-Frame Design

Cantilever Design

Spreader Rack Fork-Lift		
Model	Description	Wt. (Lbs.)
SP-RACK-48	48" Fork Rack	300
SP-RACK-96	96" Fork Rack	355

Spreader Rack A-Frame		
Model	Description	Wt. (Lbs.)
RACK-A-3	3 Shelf Rack	3,100
RACK-A-4	4 Shelf Rack	4,000

Spreader Rack Cantilever		
Model	Description	Wt. (Lbs.)
RACK-C-BASE	Rack Base	1,000
RACK-C-S3	36" Rack Struts	270
RACK-C-S4	48" Rack Struts	300
RACK-C-S5	60" Rack Struts	315
RACK-C-S6	72" Rack Struts	330
RACK-C-U	Rack Up-Right	695

SPREADERS

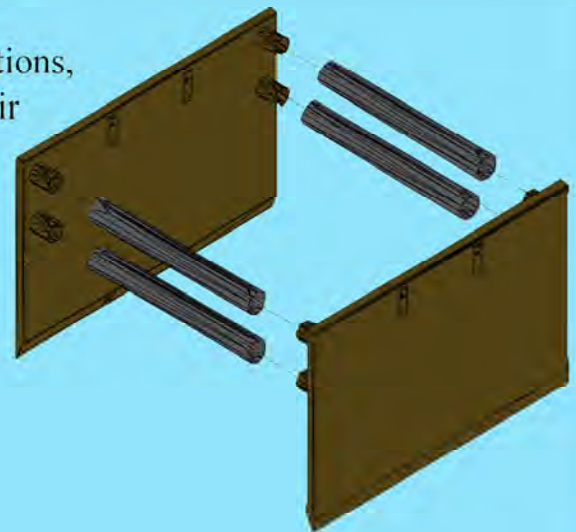
SPREADER SETS FOR STEEL TRENCH SHIELDS

Spreader Sets 8" Sch 80 4-Pipe "I"

Model	Inside Width (In.)	Weight (Lbs.)
SP-24-4	24	415
SP-30-4	30	500
SP-36-4	36	585
SP-42-4	42	675
SP-48-4	48	760
SP-54-4	54	850
SP-60-4	60	935
SP-66-4	66	1,020
SP-72-4	72	1,105
SP-78-4	78	1,195
SP-84-4	84	1,280
SP-90-4	90	1,370
SP-96-4	96	1,455
SP-102-4	102	1,540
SP-108-4	108	1,630
SP-120-4	120	1,800
SP-132-4	132	1,975
SP-144-4	144	2,150
SP-156-4	156	2,320
SP-168-4	168	2,495
SP-180-4	180	2,670
SP-192-4	192	2,850
SP-204-4	204	3,015
SP-240-4	240	3,535

4-Pipe Independent

Excellent for stacking sections, manhole shields, and repair work because both ends allow for pipe clearance. *Not recommended for large shields.

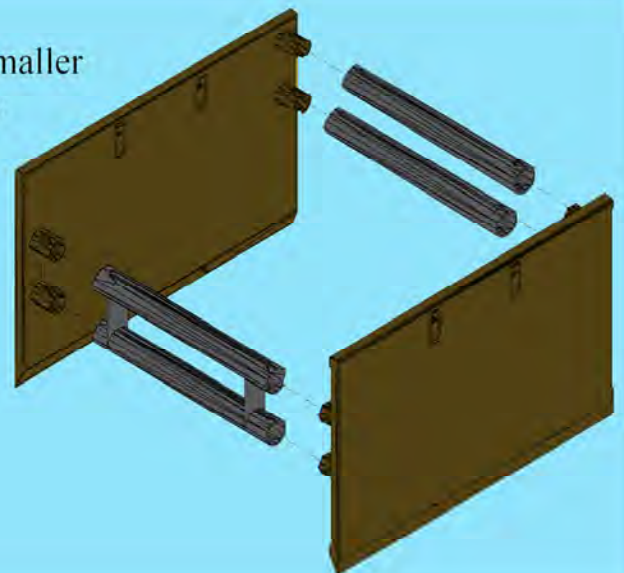


Spreader Sets 8" Sch 80 4-Pipe "C"

Model	Inside Width (In.)	Weight (Lbs.)
SP-24-4C	24	470
SP-30-4C	30	558
SP-36-4C	36	644
SP-42-4C	42	730
SP-48-4C	48	818
SP-54-4C	54	904
SP-60-4C	60	992
SP-66-4C	66	1,078
SP-72-4C	72	1,164
SP-78-4C	78	1,252
SP-84-4C	84	1,338
SP-90-4C	90	1,424
SP-96-4C	96	1,512
SP-102-4C	102	1,598
SP-108-4C	108	1,686
SP-120-4C	120	1,858
SP-132-4C	132	2,032
SP-144-4C	144	2,206
SP-156-4C	156	2,380
SP-168-4C	168	2,554
SP-180-4C	180	2,726
SP-192-4C	192	2,900
SP-204-4C	204	3,074
SP-240-4C	240	3,594

4-Pipe Connected

Ideal for medium and smaller trench shields. Provides for boom and bucket clearance at the front while allowing excellent excavator visibility.



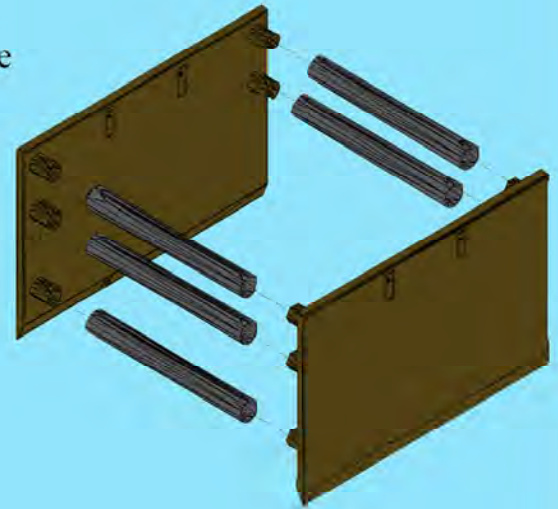
SPREADERS

SPREADER SETS FOR STEEL TRENCH SHIELDS

Spreader Sets 8" Sch 80 5-Pipe "I"		
Model	Inside Width (In.)	Weight (Lbs.)
SP-24-5	24	515
SP-30-5	30	625
SP-36-5	36	730
SP-42-5	42	840
SP-48-5	48	950
SP-54-5	54	1,060
SP-60-5	60	1,165
SP-66-5	66	1,275
SP-72-5	72	1,380
SP-78-5	78	1,490
SP-84-5	84	1,600
SP-90-5	90	1,710
SP-96-5	96	1,815
SP-102-5	102	1,925
SP-108-5	108	2,035
SP-120-5	120	2,250
SP-132-5	132	2,470
SP-144-5	144	2,685
SP-156-5	156	2,900
SP-168-5	168	3,120
SP-180-5	180	3,335
SP-192-5	192	3,560
SP-204-5	204	3,770
SP-240-5	240	4,420

5-Pipe Independent

Excellent multiple purpose shield. Use the 4-pipe spreaders where pipe clearance is required at both ends of the shield. Add the fifth pipe to increase rigidity for pipe laying work.



Spreader Sets 8" Sch 80 5-Pipe "C"		
Model	Inside Width (In.)	Weight (Lbs.)
SP-24-5C	24	566
SP-30-5C	30	674
SP-36-5C	36	782
SP-42-5C	42	890
SP-48-5C	48	1,000
SP-54-5C	54	1,108
SP-60-5C	60	1,216
SP-66-5C	66	1,324
SP-72-5C	72	1,432
SP-78-5C	78	1,542
SP-84-5C	84	1,650
SP-90-5C	90	1,758
SP-96-5C	96	1,866
SP-102-5C	102	1,976
SP-108-5C	108	2,084
SP-120-5C	120	2,300
SP-132-5C	132	2,518
SP-144-5C	144	2,734
SP-156-5C	156	2,952
SP-168-5C	168	3,168
SP-180-5C	180	3,386
SP-192-5C	192	3,602
SP-204-5C	204	3,820
SP-240-5C	240	4,470

5-Pipe Connected

For larger trench shields, the 5-pipe spreader system provides maximum rigidity while allowing for top operator visibility.

